

IZ33173

ANALOG CLOCK

FUNCTIONS

- Single 1.5V battery operation
- Low current consumption
- 32,768 Hz quartz crystal controlled oscillator with two built in capacitor
- 1 Hz stepping motor driven with 15.625 mS, 23.4 mS, 31.25 mS or 46.875 mS (mask option) pulse width
- 8-pin plastic DIP and bare chip available

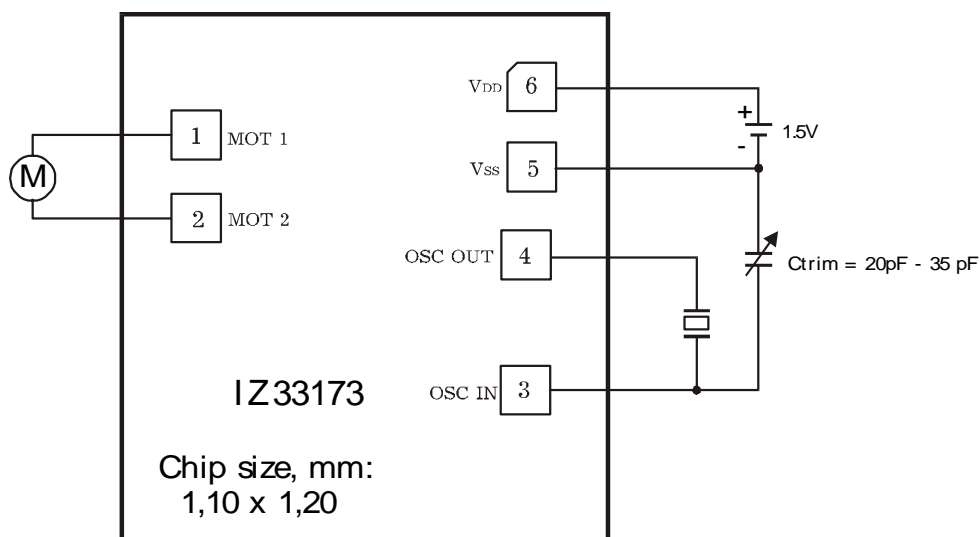
Type	Motor Driving Pulse Width, ΔT
IZ33173	31.25 mS

ELECTRICAL CHARACTERISTICS

($V_{DD} - V_{SS} = 1.5V$, $T_a = 25^\circ C$, $F_{osc} = 32,768$ Hz, $X'TAL$ RS = 25K Ω)

Characteristic	Symbol	Test Condition	Min	Typ	Max	Unit
Operating Voltage	V_{DD}		1.1	1.5	1.8	V
Operating Current	I_{DD}	No Load		0.7	2.0	mA
Saturation Resistance	R_S	$V_{DD} = 1.2V$, $R_L = 200\Omega$		60	80	Ω
Stability $\Delta f/f$	$\Delta f/f$	$\Delta V_{DD} = 0.1V$		0.1	0.2	ppm
Oscillator Start Time	T_S			0.5	2	S

TYPICAL APPLICATION



For dice application, the pad V_{SS} must be bonded to PCB substrate.