

# IWPH01-02

## SI PIN PHOTODIODE

Visible to infrared range  
 Plastic package 7 mm x 7.8 mm  
 Active area size 2.8 mm x 2.8 mm

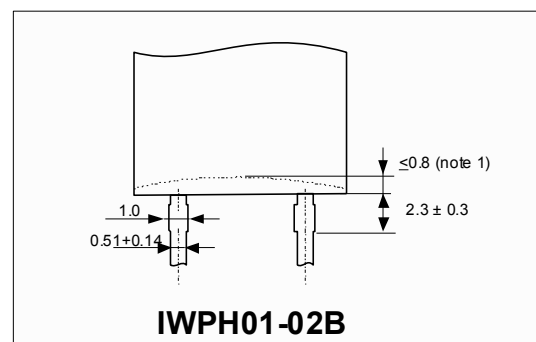
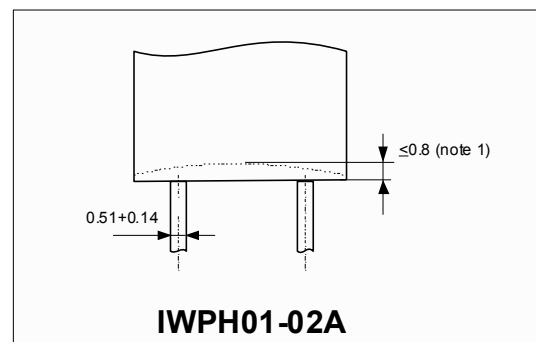
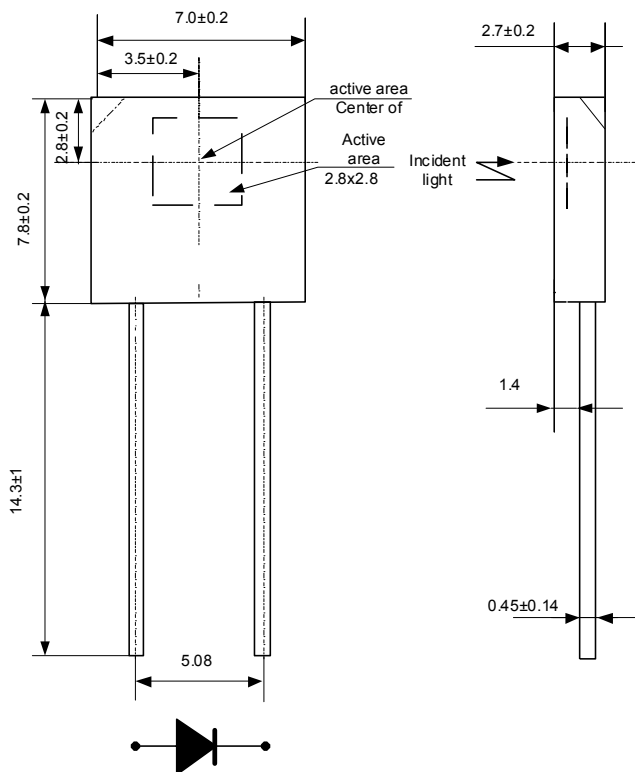
### Absolute maximum ratings

|              | Parameter             | Max.        | Units |
|--------------|-----------------------|-------------|-------|
| $V_{R\ max}$ | Reverse voltage       | 35          | V     |
| $P_{\ max}$  | Power dissipation     | 150         | mW    |
| $T_{opr}$    | Operating temperature | -25 to +85  | °C    |
| $T_{stg}$    | Storage temperature   | -40 to +100 |       |

### Electrical and optical characteristics (Ta=25 °C, unless otherwise noted)

|             | Parameter                   | Typ                   | Max | Units               | Conditions |
|-------------|-----------------------------|-----------------------|-----|---------------------|------------|
| $\lambda$   | Spectral response range     | 320 to 1100           |     | nm                  |            |
| $\lambda_p$ | Peak sensitivity wavelength | 960                   |     |                     |            |
| S           | Photo sensitivity           | 0.57                  |     | A/W                 | 960 nm     |
|             |                             | 0.38                  |     |                     | 660 nm     |
|             |                             | 0.46                  |     |                     | 780 nm     |
|             |                             | 0.48                  |     |                     | 830 nm     |
| $I_{sc}$    | Short circuit current       | 7.5                   |     | $\mu$ A             | 100 lx     |
| $I_D$       | Dark current                | 0.1                   | 10  | nA                  | $V_R=12V$  |
| $T_{CID}$   | Temp. coefficient of $I_D$  | 1.15                  |     | times/°C            |            |
|             | NEP                         | $1.0 \times 10^{-14}$ |     | W/Hz <sup>1/2</sup> | $V_R=12V$  |

Package outline (unit: mm, tolerance unless otherwise noted:  $\pm 0.1$ )



Korzhenevskogo 12, Minsk, 220108 Republic of Belarus  
 Fax: +375 (17) 278 28 22,  
 Phone: +375 (17) 278 07 11, 212 24 70, 212 24 61, 1  
 212 69 16  
 E-mail: office@bms.by  
 URL: www.bms.by

**BELMICROSYSTEMS**

---

---

## ***IWPH01-02***

**Note 1 Shape of surface at zone ( $\leq 0.8$ ) not defined**



---

---

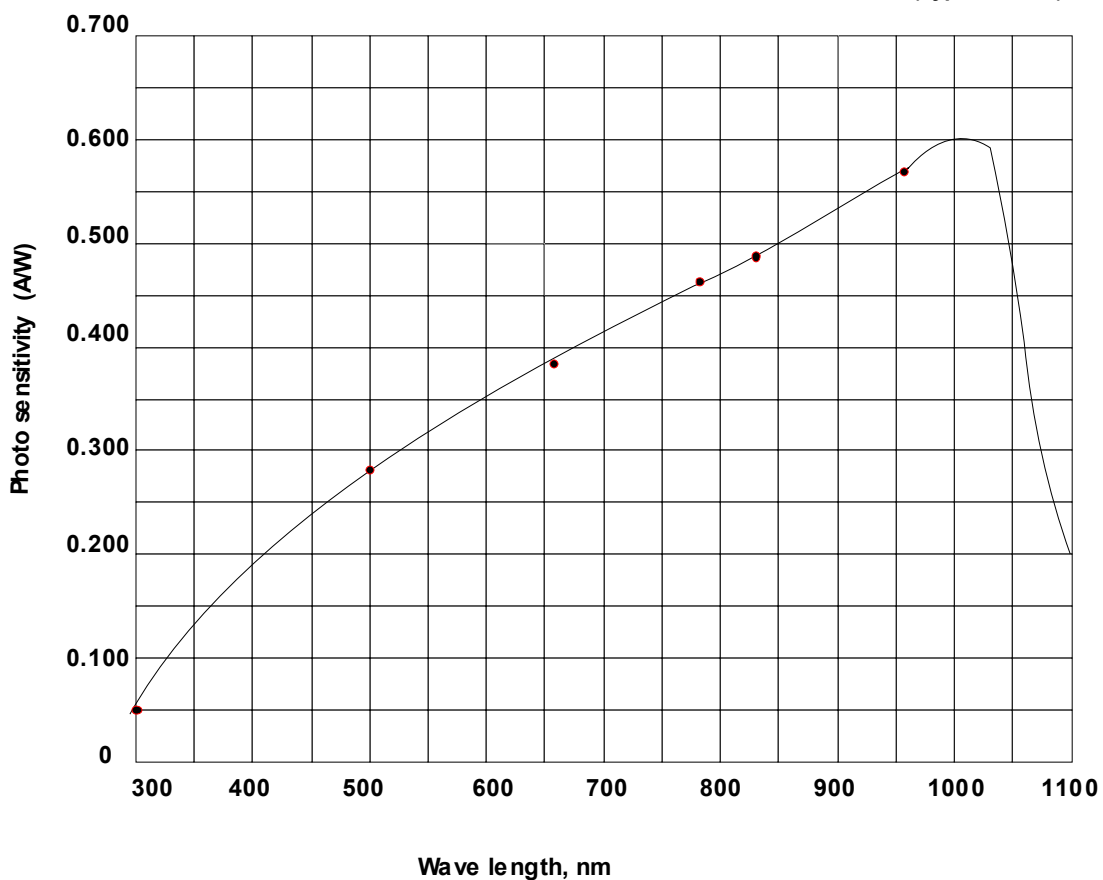
Korzhenevskogo 12, Minsk, 220108 Republic of  
Belarus  
Fax: +375 (17) 278 28 22,  
Phone: +375 (17) 278 07 11, 212 24 70, 212 24 61, 2  
212 69 16  
E-mail: [office@bms.by](mailto:office@bms.by)  
URL: [www.bms.by](http://www.bms.by)

***BELMICROSYSTEMS***

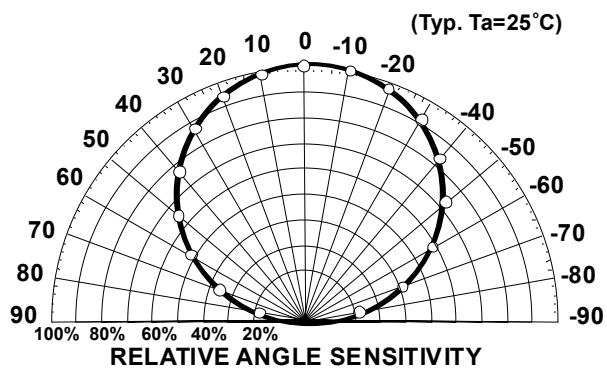
**IWPH01-02**

**Spectral response**

(Typ. Ta=25°C)



• **Directivity**



Korzhenevskogo 12, Minsk, 220108 Republic of Belarus  
 Fax: +375 (17) 278 28 22,  
 Phone: +375 (17) 278 07 11, 212 24 70, 212 24 61, 3  
 212 69 16  
 E-mail: office@bms.by  
 URL: www.bms.by

**BELMICROSYSTEMS**